



17 Pullman Court, Toronto, Ontario, M1X 1E4, CANADA  
 1 877 335-7790  
 www.britech.ca

## INSTRUCTIONS - KIT-BSR-DRD

THE INSTALLATION MUST BE EXECUTED BY A QUALIFIED TECHNICIAN



Read carefully these instructions before installation, operation of the heater. Failure to adhere to the instructions could result in fire, electric shock, serious personal injury, and death or property damage. Review frequently for continuing safe operation and instruction of future users, if necessary.

## IMPORTANT INSTRUCTIONS

Where applicable, installation must meet requirements of the following codes:

- Canadian Electrical Code (CSA C22.1 Part 1)
- National Electrical Code (NFPA 70)
- Any other applicable local and/or national code

Where required by law, this product must be installed by a qualified person.

**ATTENTION:** This product must be installed with a ground fault circuit interrupter (GFCI).

Use only listed conduits, fittings and other components.

Use the self-regulating heating cable according to the instructions available on [www.britech.ca](http://www.britech.ca).

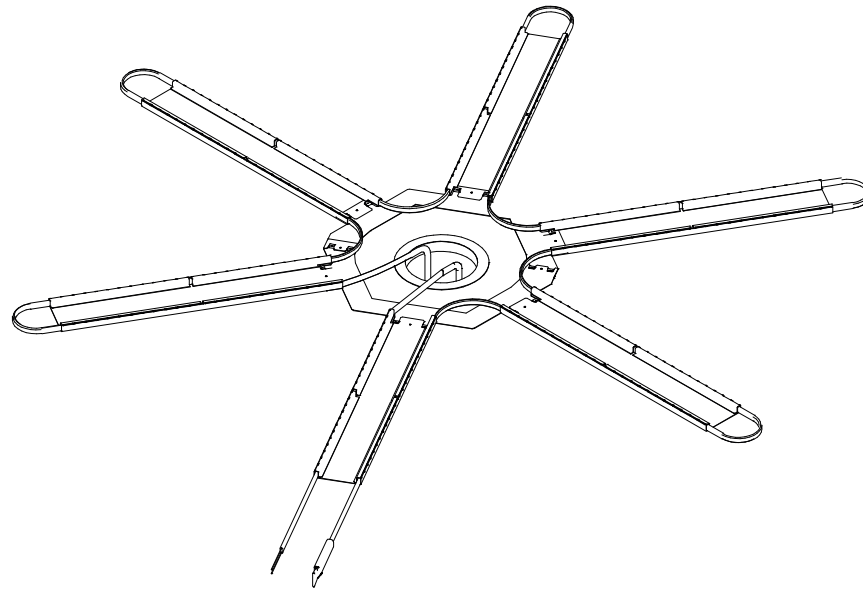
## SAVE THESE INSTRUCTIONS

## WARRANTY

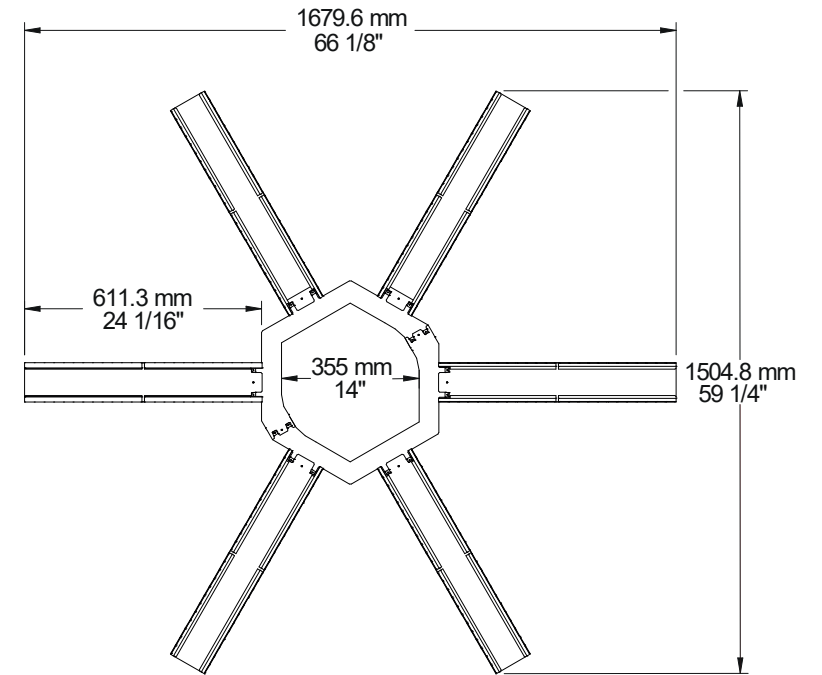
Please refer to the product sheet at [www.britech.ca](http://www.britech.ca).

INS641-202112-00

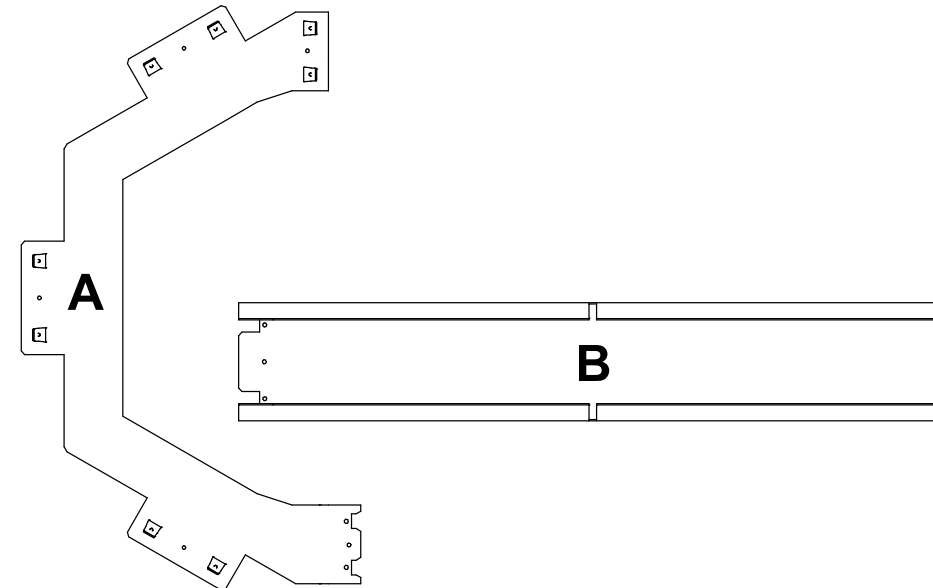
### Global view



### Dimensions



### Material included



Item	Description	Qty
A	Half section of the central ring	2
B	Blade	6

# INSTALLATION INSTRUCTIONS

- Remove all sharp objects from the surface to be heated.
- Clean and degrease the surface.
- For installation on a roof with gravel, remove the gravel so that the KIT-BSR-DRD can be applied as close as possible to the roof.
- Control and accessories: The installation of a heating circuit must be performed using original Britech accessories, in accordance with the Britech installation instructions.
- Maintain a minimum bend radius of 1 in. (25 mm) with all cables.
- NEVER turn on damaged heating circuits.

- 1- Assemble the central ring one side at a time (Fig. 1) and make sure that each part is properly inserted into the other half-section (normally a click is heard).

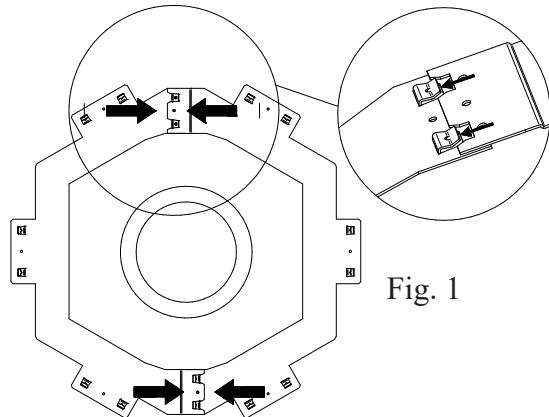


Fig. 1

- 2- Position the central ring so that it is centered with the roof drain (Fig. 2).

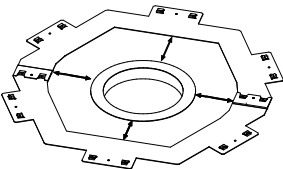


Fig. 2

- 3- Take each of the 6 blades and insert them into the male part of the central ring (Fig. 3) and make sure that each blade is properly inserted into the central ring (normally a click is heard).

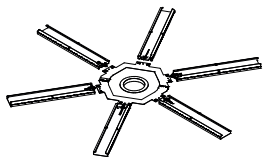


Fig. 3

- 4- Insert the self-regulating heating cable into the first of 6 blades (Fig. 4) and bend one edge at a time to secure the cable (Fig 6). Do not bend the edge all the way to allow for adjustments with the self-regulating heating cable as needed.

Perform a round trip with the self-regulating heating cable (Fig. 4) and penetrate at least 12 in. (305 mm) inside the roof drain.

**CAUTION:** At this step if you have a roof drain strainer, it must be installed before installing the self-regulating heating cable.

When the installation of the self-regulating heating cable in the 6 blades is complete, be sure to bend the edges of the 6 blades all the way to the bottom to stabilize the self-regulating heating cable.

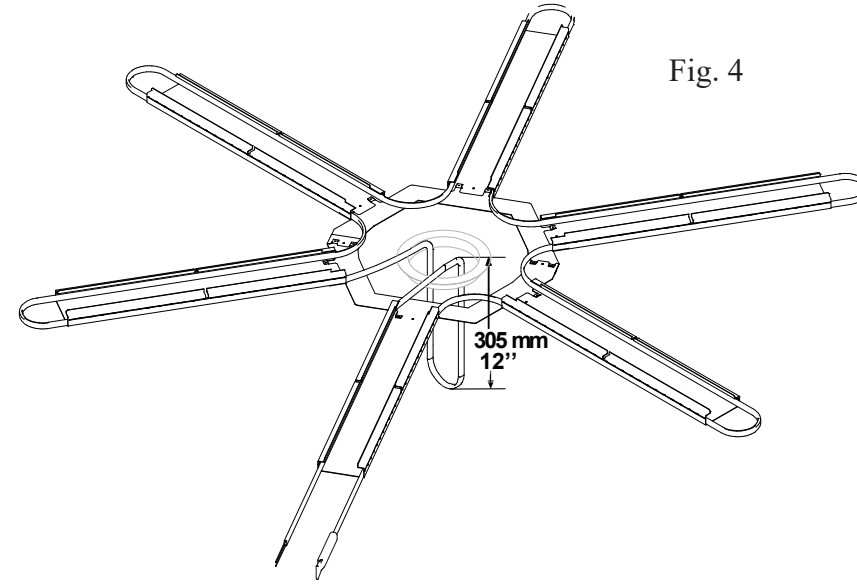


Fig. 4

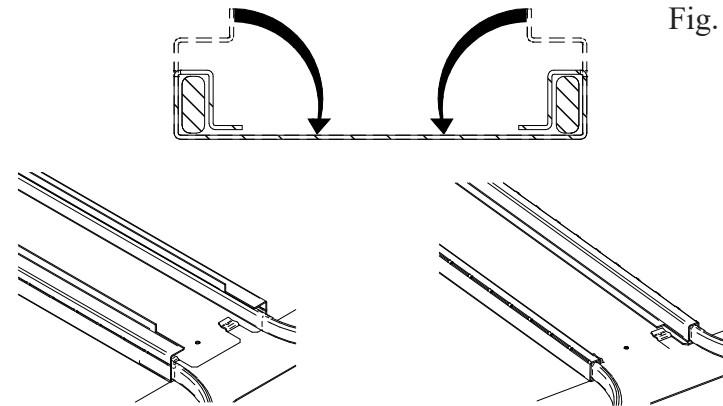


Fig. 6

- 5- Apply the warning label HT-1-LABEL (not included) to the roof drain, inside the building, to identify the presence of a self-regulating heating cable.

## OPTIONAL DURING INSTALLATION

If you feel that there is a risk that the KIT-BSR-DRD may move after installation, you can secure it with a **roofing adhesive previously approved by the membrane manufacturer.**

Britech can't be held responsible for any damage that may be caused to a roofing membrane following the installation of KIT-BSR-DRD.

Use the following method after performing steps 1 to 5:

Lift the outer end of the blade then apply adhesive directly to the roof. Make sure the adhesive is under the blade (Fig. 7).

Apply sufficient pressure with your hands so that the adhesive is in good contact with the roof surface.

Repeat this operation on each of the 5 remaining blades (Fig. 8).

**WARNING:** Use only roofing adhesive previously approved by the manufacturer of the roof membrane for your installations.

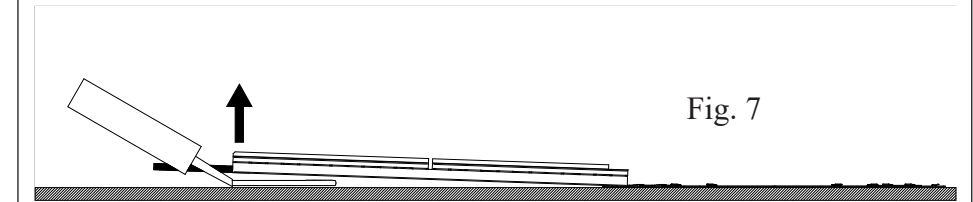


Fig. 7

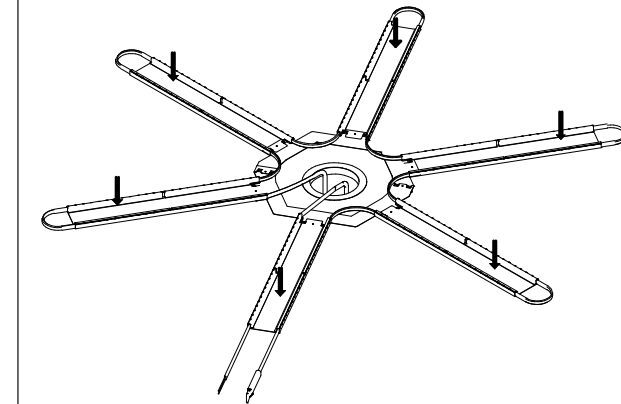


Fig. 8